

IBeam

Installation Instructions

Contents

SECTION	PAGE
Section Profiles	5
Installation Instructions	
IBeam Single Glaze	6
IBeam - 3 Way Adaptor	8
IBeam - 2 Way Corner Post	10
IBeam Sliding System	12
IBeam Door Jamb	16
IBeam Door Handle	18
IBeam - CI-817601 Door Closer	20
IBeam - Roller Bolt	22

Section Profiles

IBEAM



CI-0530 IBeam Window Frame



CI-0550 Window Sill



CI-0551 IBeam Sill Bead



CI-0578 IBeam 2 Way Corner Post



CI-0540 IBeam 3 Way Adaptor



CI-0582 IBeam Cross Beam



CI-0562 IBeam Door Stop



CI-0560 IBeam Pocket Filler



CI-P4260 Pocket Filler

IBEAM SLIDING SYSTEM



CI-0526 IBeam Track Mounting Bracket



CI-0553 IBeam Sliding Track



CI-0541 IBeam Pelmet



CI-0514 IBeam Sliding Door Receiver



CI-0515 IBeam Receiver Capping



CI-0531 IBeam Acoustic Split Jamb



CI-P4260 Pocket Filler



CI-0530 IBeam Window Frame



CI-0550 Window Sill



CI-0551 IBeam Sill Bead

IBEAM DOORS



CI-0524 IBeam Door Rail

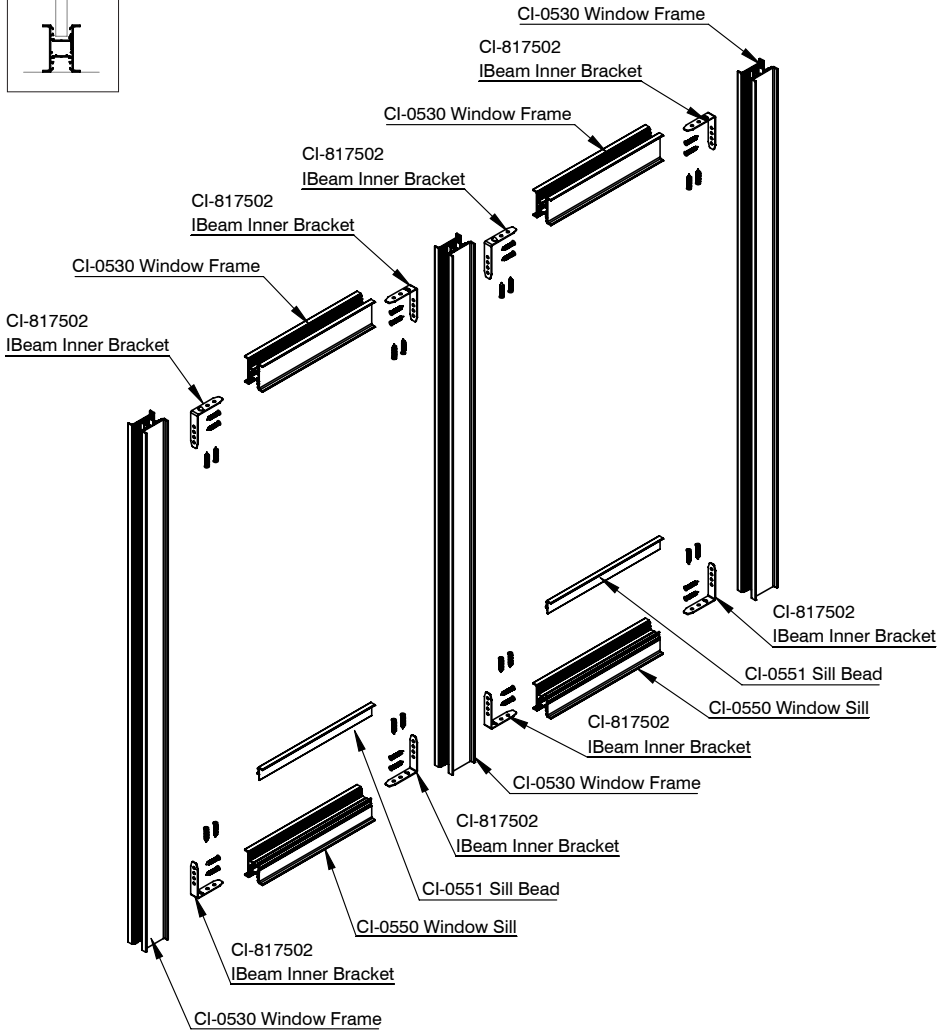
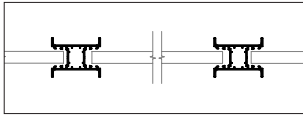
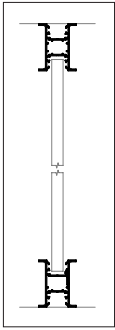


CI-0528 IBeam Door Stile



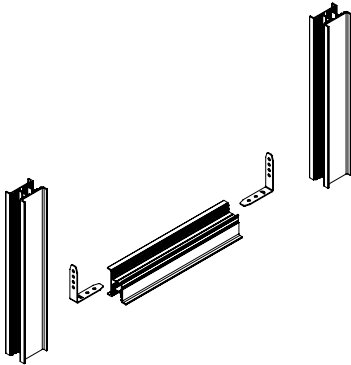
CI-0525 IBeam Snap Bead

IBeam Single Glaze



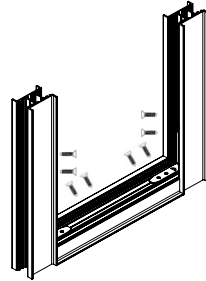
Screws = 10g

IBeam Single Glaze - Fixing Method



Step 1.

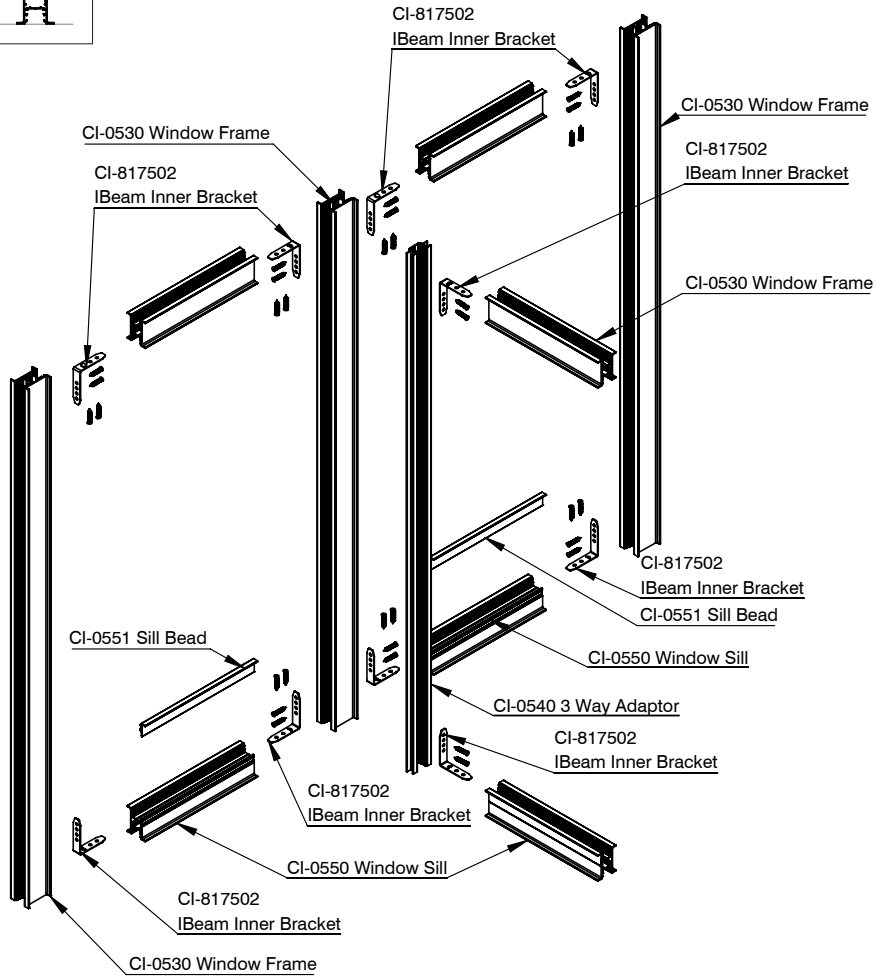
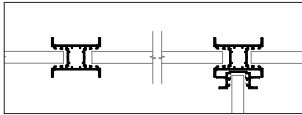
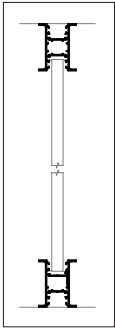
Position 817502 into both ends of 0550 until the stopper connects with 0550.



Step 2.

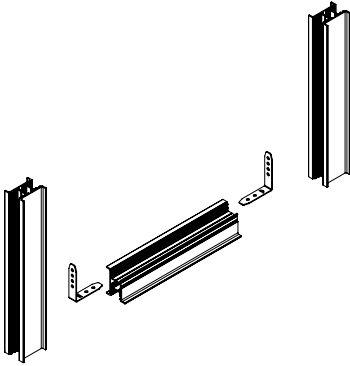
Using the two holes provided fix into 0550 using 10g screws.

I-Beam 3 Way Adaptor



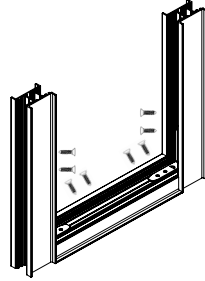
Screws = 10g

IBeam 3 Way Adaptor - Fixing Method



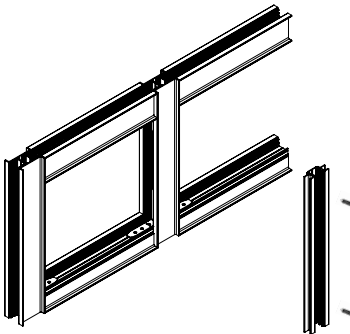
Step 1.

Position 817502 into both ends of 0550 until the stopper connects with 0550.



Step 2.

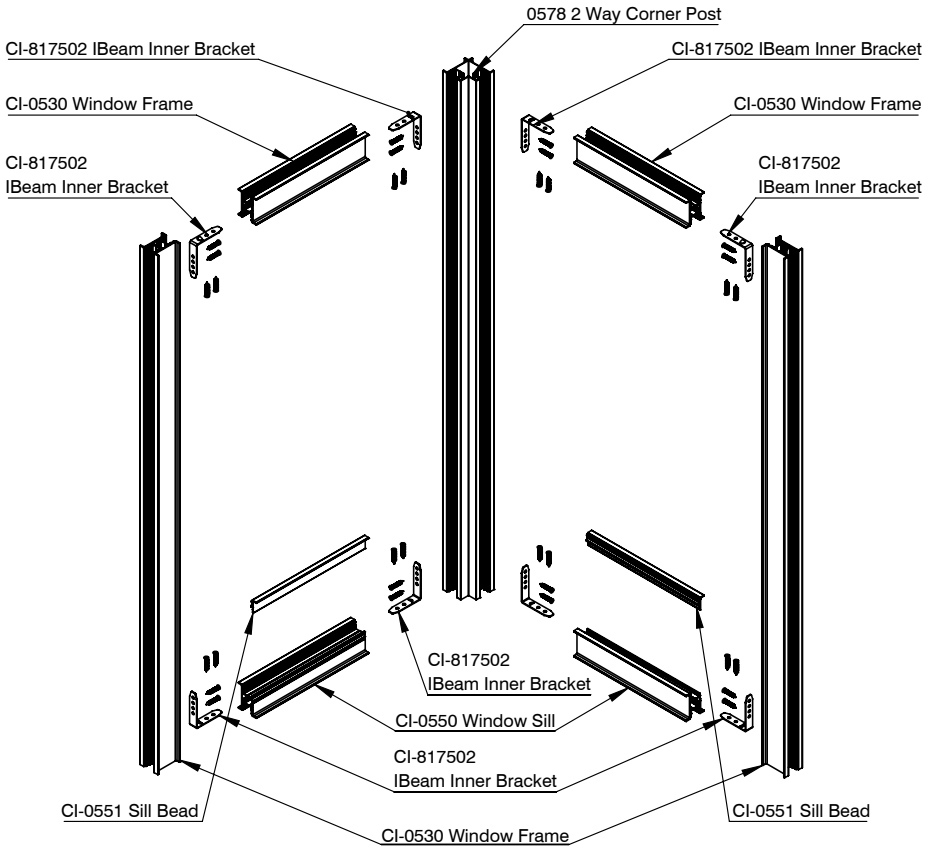
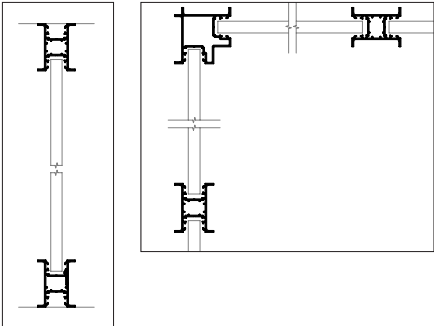
Using the two holes provided fix into 0550 using 10g screws.



Step 3.

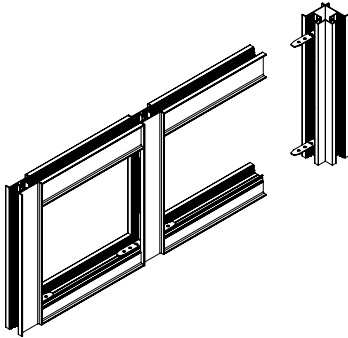
If you need to create a t-section to divide rooms position 0540 into the side wall of 0530. Fix through the glazing pocket of CI-0540.

IBeam 2 Way Corner Post



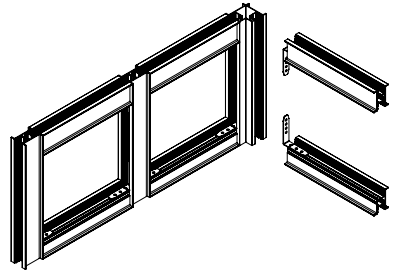
Screws = 10g

I-Beam 2 Way Corner Post - Fixing Method



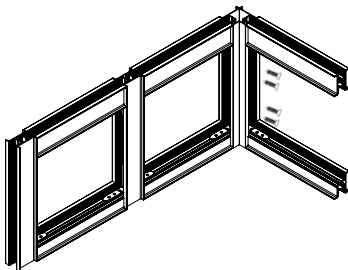
Step 1.

Fix 817502 to 0578 using 10g screws.
Position 0578 against 0550 and fix using the 817502.



Step 2.

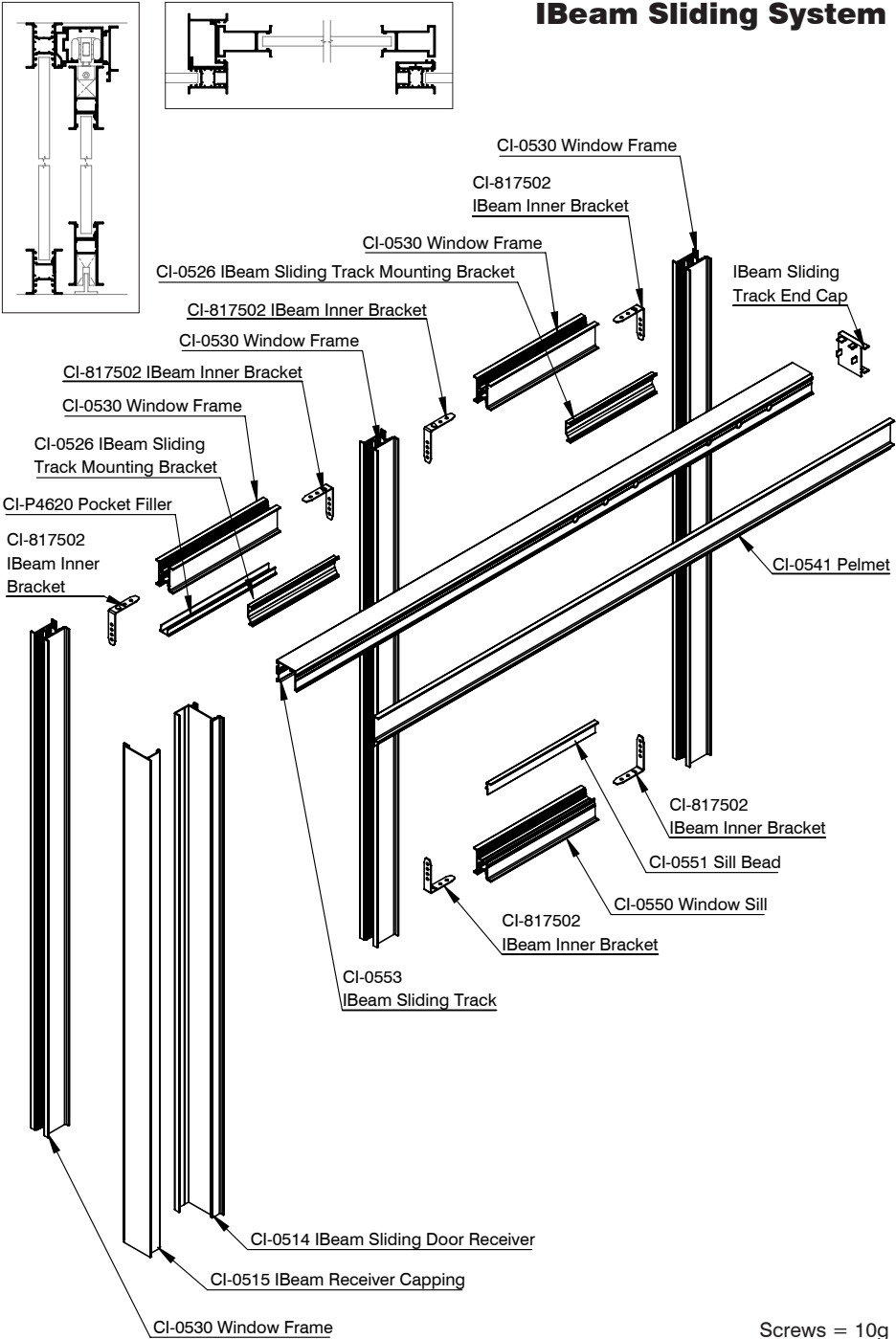
Fix 817502 to 0550 and position against 0578.



Step 3.

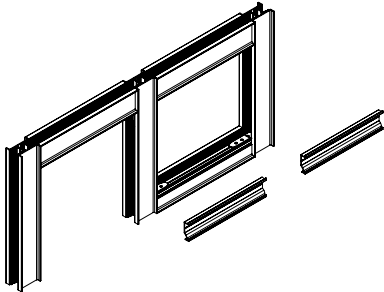
Using the two holes provided in each 817502 fix 0550 and 0578 together.

I-Beam Sliding System



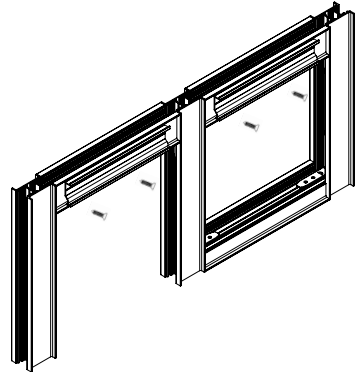
Screws = 10g

IBeam Sliding System - Fixing Method



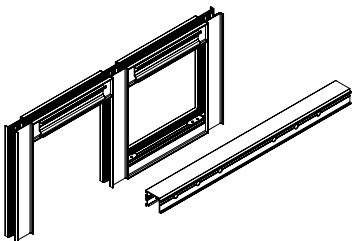
Step 1.

Build a window frame (see page 6), leaving the floor of the door opening clear. Cut two 0526 and position them into the top 0530.



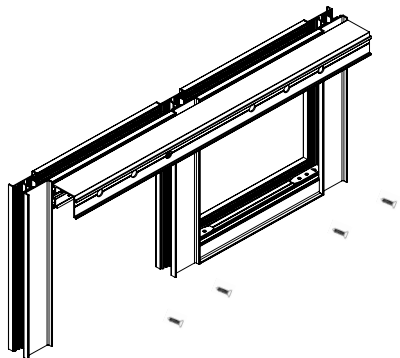
Step 2.

Fix 0526 to 0530 using the screw guide provided.



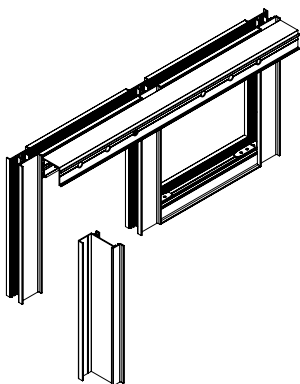
Step 3.

Cut 0553 the correct length needed. Drill pilot holes in 0553 using the screw guide provided, this will allow a screw head to pass through.



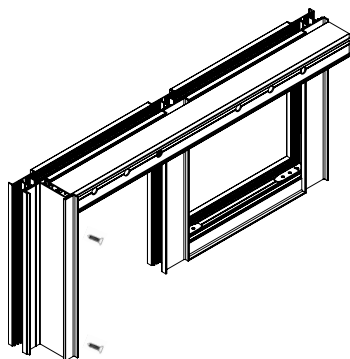
Step 4.

Position 0553 onto 0526, ensure the front of 0553 does not come past 0530.



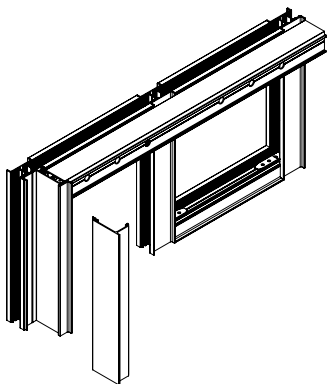
Step 5.

Position 0514 against the vertical 0530.



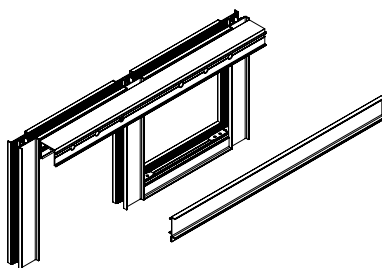
Step 6.

Fix 0514 to 0530 to hold in position.



Step 7.

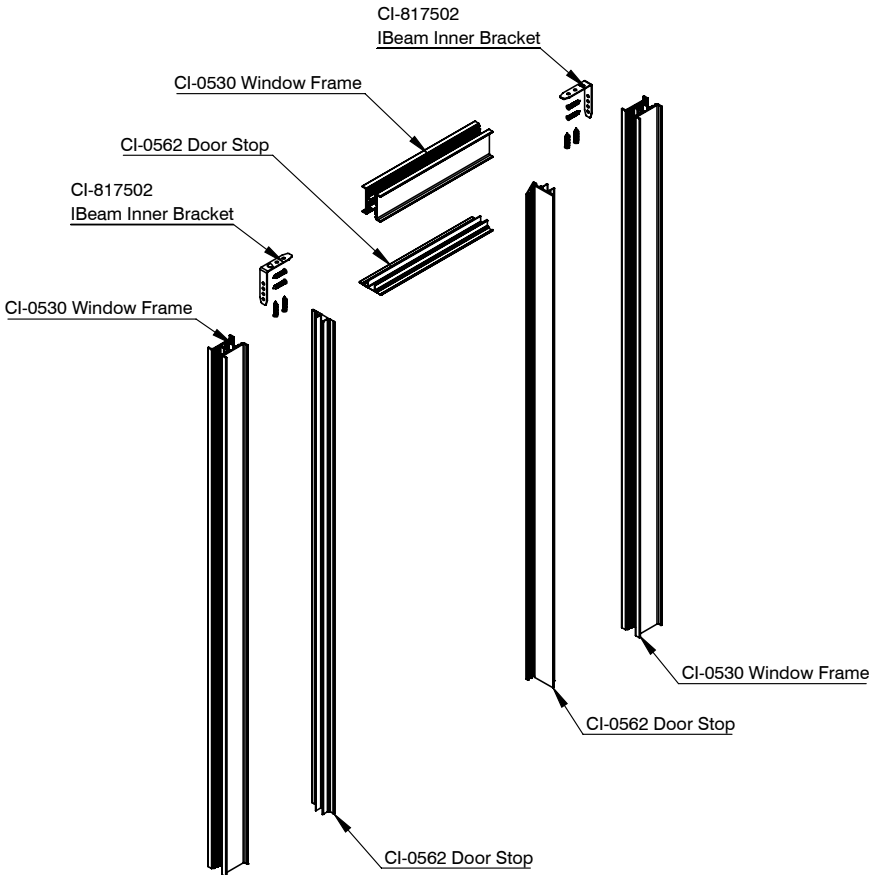
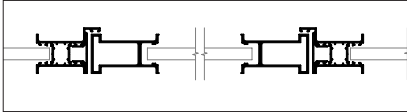
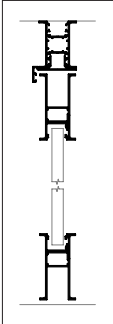
Clip 0515 to 0514 to cover the open end.



Step 8.

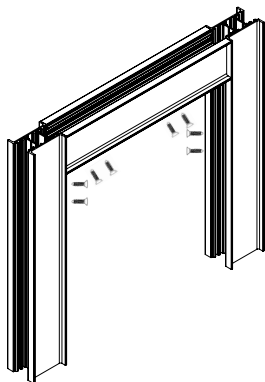
Cut 0541 the full length of 0553 and clip onto 0553.

I Beam Door Jamb



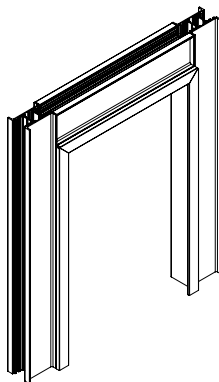
Screws = 10g

IBeam Door Jamb - Fixing Method



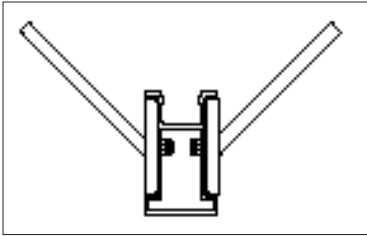
Step 1.

Fix together two vertical 0530 and the top 0530 using 817502.

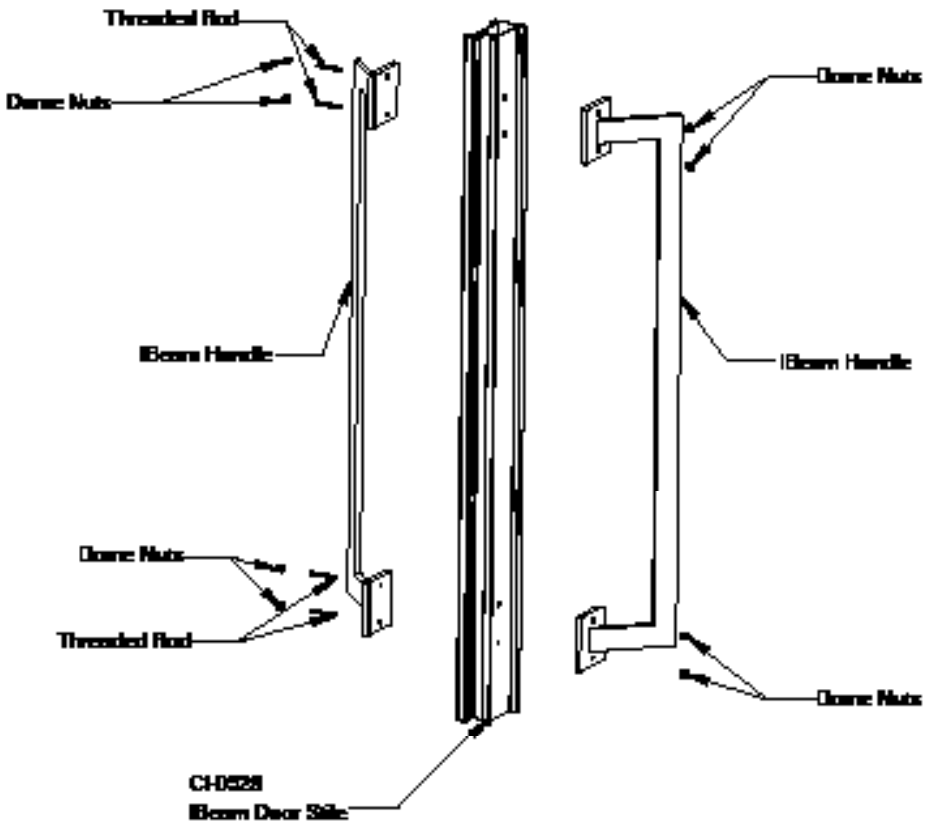


Step 2.

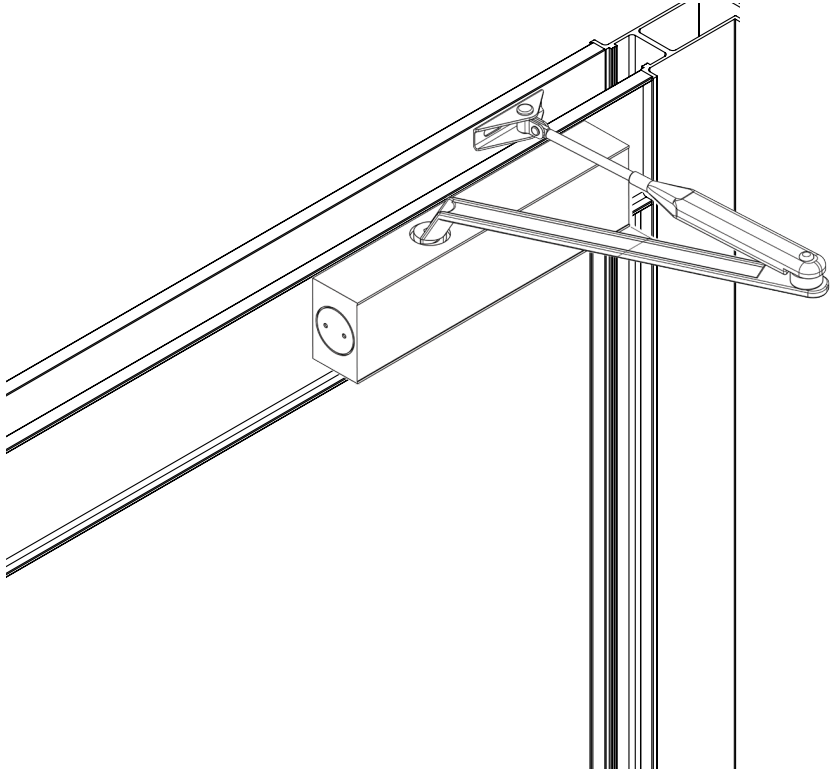
Mitre 3 x 0562, clip into the glazing pockets of 0530.

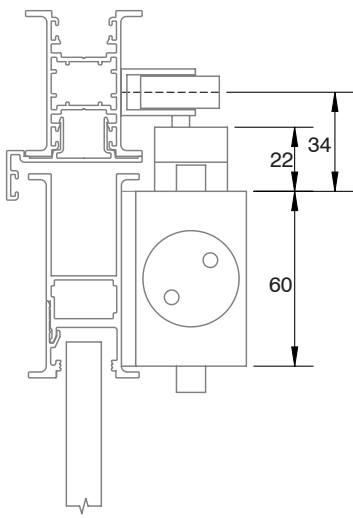


IBeam Door Handle

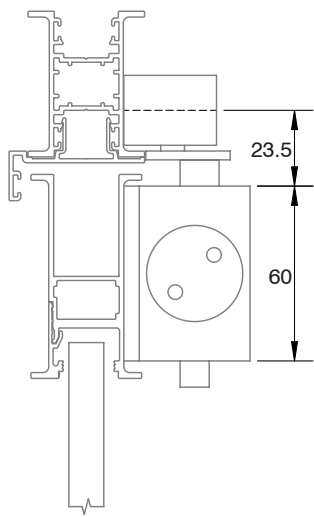


**IBeam -
CI-812601 Door Closer**



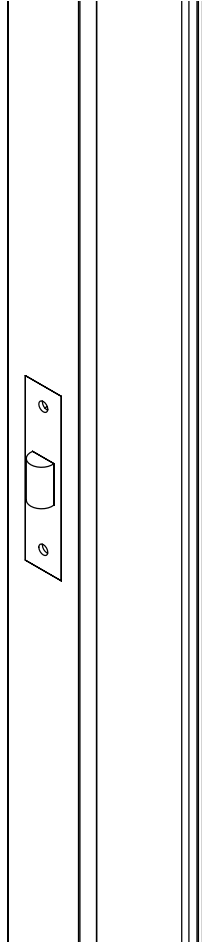


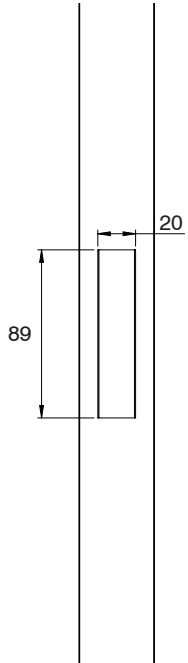
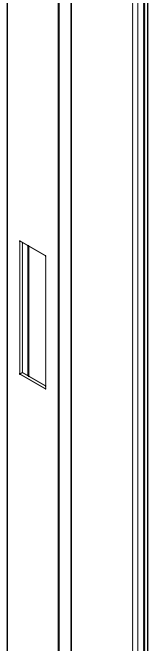
Door Closer with Hold Open Arm



Door Closer with Slide Rail

I Beam - Roller Bolt







VIC

23 Scanlon Drive
Epping, VIC, 3076
T: 03 9355 0700

sales@criterionindustries.com.au

NSW

95 Victoria Street
Smithfield, NSW, 2164
T: 02 9355 0700

sales.nsw@criterionindustries.com.au

WA

58 Tacoma Circuit
Canning Vale WA 6155
T: 08 9355 0700

sales.wa@criterionindustries.com.au

QLD

22 Holt Street
Eagle Farm QLD 4009
T: 07 3193 8990

sales.qld@criterionindustries.com.au